

Exceptional Quality | Amazing Value



The Window & Door Collection

Flair





ABOUT FLAIR

Flair have been supplying customers with bespoke products for many years and are now one of the country's leading fabricators of UPVC windows, doors, roofs and sealed units.

We focus on getting it done right first time. Our products are designed to be energy efficient, thus lessening the impact of environmental damage.

CONTENTS

Our Factory	2
Energy Efficiency	3
Security	4-5
Glass	6-7
Quality	8-9
Frame Styling	10
Colours	11

WINDOW RANGE

Casement	14
Tilt & Turn	15
Flush Sash	16
Aluminium Windows	17

DOOR RANGE

Aluminium Bi-folding Doors	20
Aluminium Patio Doors	21
UPVC Patio Doors	22
French Doors	23
Stable Doors	24
UPVC Back Doors	25
Solidor (Composite Doors)	26-27

GUARDIAN ROOF	28-31
----------------------	--------------

STRATUS LANTERN ROOF	32-35
-----------------------------	--------------

ICOTHERM ROOF	36-39
----------------------	--------------

CONSERVATORIES	40-43
-----------------------	--------------



FENSA REGISTRATION NO: 37530

FENSA stands for the Fenestration Self-Assessment Scheme.

We are a FENSA registered company so you can be confident that your installations are fully compliant with Building Regulations, without the added cost of having to arrange an assessment by Building Control.

OUR FACTORY

Flair operates from a 50,000 sq-ft state of the art factory in Minworth, West Midlands. We are fully equipped with the latest technology and are continuously investing in the latest equipment, software, increased space and the best operators to ensure we are able to produce the most technically advanced products and unrivalled service levels.



We work in partnership with industry leading suppliers; Kommerling & Smart to manufacture a range of market leading products. We have a continuous development programme and ensure that we stay ahead with the latest developments.

We take environmental concerns seriously. We work to minimise the impact of our operations on the environment, we do this by careful product selection, recycling and carefully planned deliveries.



Our products are designed to be energy efficient, thus lessening the impact of environmental damage.

We operate Recycline and collect any scrap UPVC materials from customers for recycling. This includes old first generation UPVC windows that we are replacing, right across the UK.

ARE YOU LIVING IN A GREEN HOUSE?

The main goal is to let visible light in, whilst keeping solar heat out in the summer and radiant heat in during the winter.

With energy bills rising, thermal efficiency remains the number one priority when making home improvements. Old windows, doors and conservatories are responsible for a significant proportion of wasted energy in homes across the UK ...but we have the answer!

IT'S EASY TO BE GREEN

Flairs U-PVC range has been designed and engineered with this in mind and our thermal performance give superior thermal efficiency. Whether building an extension or simply renovating a room, you can be certain of creating an all year round comfortable living space with Flair U-PVC.

Environmentally Friendly

Our products are packed full of clever features like advanced glass that can reflect heat back into your home and capture free heat from the sun through solar gain. Most importantly, our products are also designed so that they can be collected and recycled back into new U-PVC products.

The Best Ratings

Our products are designed to provide excellent U-value ratings for their efficiency at keeping the heat in your home - and the very best levels of Window Energy Rating (WER).

Turning Things Around

Our windows cleverly include some non-visible recycled U-PVC window content, such as the reinforcement bars that are fitted inside the opening frame profiles to provide added strength and thermal efficiency. Unlike some other options out there, our U-PVC windows can be recycled up to 10 times with a total lifespan of 400 years!

Energy Window	
FLAIR WINDOW INSTALLATIONS LTD	
Energy Index (kWh/m ² /year) <small>(Energy Index certified by BFRC and based on UK standard window. The actual energy consumption for a specific application will depend on the building, the local climate and the indoor temperature)</small>	0
The climate zone is:	UK
Thermal Transmittance (U _{window})	1.4 W/m ² .K
Solar Factor (g _{window})	0.46
Effective Air Leakage (L _{factor})	0.00 W/m ² .K
	www.bfrc.org
<small>This label is not a statutory requirement. It is a voluntary label provided as a customer service to allow consumers to make informed decisions on the energy performance of competing products.</small>	



All of the Flair windows and doors within the U-PVC range are put through stringent security checks. Our hinges, locks and handles are not only checked once, but time and time again.

In addition to these security checks, the product testing shows that these products are tested on an ongoing basis to make sure standards do not slip over time. The Flair U-PVC range has been rigorously tested to ensure they keep the wind and rain out of your home. An important consideration for windows and doors in the UK.

Our enhanced multi-point security locking systems, which are designed, developed and tested in the UK, offer homeowners security and peace of mind.

Our high-performance multi-point locking technology means you can rest assured that you're keeping your home and family well protected. With an increase in burglaries its never been more important to make sure your home doesn't become one of the statistics. We're committed to finding the right security solution for your needs.



Keep Your Family Safe

Each of our locks feature a combination of hooks and anti-lift bolts for enhanced security. Our windows have added protection to strengthen the hinges.

High security hinge guards are available on all of our Flair U-PVC windows and doors. This means that in the unlikely event of an intruder attacking the hinges instead of the locks, these devices prevent the door or window from being pushed/pulled open.

To help keep your family safe we offer restrictor hinges to prevent the risk of falls. These only allow the window to be opened partially which is important when fitting windows in a child's bedroom. These hinges have an override to allow for full opening in case of an emergency.



Keep Your Home Secure With The Best In Security Protection

ORION 3* CYLINDER

Sometimes appearances can be deceptive. Some doors might be made and installed perfectly, and even be fitted with a top quality multi-point hook lock. But that's all undermined if it's locked off with a second rate profile cylinder.

This is why at Flair we use the greenteQ Orion TS007 3 Star Profile Cylinder

PROTEQ10

When you buy your door fitted with an Orion cylinder you can register your keys for the proteQ10 Key Security Scheme when registering your snap guarantee. This allows you to set a password and additional keys can only be cut in the future when that password is given.

FULLY TESTED

It's fully tested and approved at BSI to the TS007 Kitemark. Orion achieves the top level 3 star rating, meaning that it provides proven protection against all methods of attack, with no need for additional support.

greenteQ



Orion features a sacrificial break point. If an attempt is made to remove the cylinder by force to gain access to the workings of the multi-point lock, it will snap at this point and go into interlock mode. This leaves the door secure, but operable from inside so the occupants are safe and sound.

OVER 100,000 COMBINATIONS

Orion conforms to BS EN 1303 Grade 6. This standard calls for at least 100,000 different key combinations. The chances of duplication are very slim!

GLASS OPTIONS



PILKINGTON

At Flair we offer a range of glass options to our customers. From our Planitherm range to our range of privacy glass, we are sure to have a glass style to suit!

Planitherm

When it comes to replacing your windows, the glass you choose can make a big difference. Keeping your home warm can be challenging when energy prices are rising. Choosing windows with Planitherm Energy Standard glass can help to combat this.

Glass will typically make up 70% of your window, and it's at the heart of controlling the flow of natural light, the level of safety and security, and of heat retention. It can even help protect furniture against fading.

Our modern glazing can maximise your home's comfort, for a difference you may not 'see' but will certainly feel. Whether you're looking for warmth, a peaceful night's sleep or to enjoy a sun-filled room without overheating, Planitherm has the perfect high-performance glass for you.

A special coating on our glass helps stop heat escaping, so you'll use less energy to keep your home warm. Our Energy Standard and Comfort glazing captures and makes use of the warmth from natural daylight, while Comfort Plus helps limit and control it – ideal for very sunny rooms.

Beware of uncoated glass used in double glazing – it won't provide all the functional capabilities you need to keep your home comfortable, warm and energy efficient.



Pilkington Privacy Glass

For privacy, pure style or to allow more light into internal rooms, decorative glass gives you a whole range of attractive options. In fact, our range from Pilkington gives you a choice of no fewer than 18 different textured glass designs, together with our premium range of etched glass from classic to contemporary, no one offers a bigger choice.

The advantages of Pilkington decorative glass are easy to see; it allows maximum light while maintaining privacy or obscuring unattractive views, and also forms an attractive decorative feature itself.



SWISSPACER®

Lower heating costs through better insulation: The thermally improved spacer SGG SWISSPACER V excels with an optimised heat transfer resistance. The result: The high tech spacer bar SGG SWISSPACER V enables heating costs to be reduced by up to 5%.

- Superior isolation characteristics mean higher temperatures are maintained at the edges of glass panes – significantly reducing the risk of condensation.
- Higher temperatures at the edge of the pane mean less cold radiation, ensuring more comfort inside and a healthy indoor climate.
- The high-quality plastic of SGG SWISSPACER in combination with a unique colour range means you can design each window and any façade to your specification



SUPERIOR QUALITY

Choosing the right window or door for your house can be a daunting experience. As can choosing the right company to install them. You can rest assured that all of our products are tested to the latest British Standards and will be installed to comply with the latest UK Building Regulations.

This independent testing combined with our reputation means that the only thing you need to worry about is deciding on the look and style of your windows and doors - the performance and quality comes as standard.

By selecting windows and doors manufactured from U-PVC rather than other alternative framing materials, you can be confident that these products will never flake, peel, rust or rot and they will provide beautiful good looks and maintenance freedom for many years to come.

When it comes to selling your home, you must be able to demonstrate that all of your windows and doors are fitted to follow building regulations. This is done by producing a certificate of compliance from either an approved installer or your Local Authority Building Control Department.

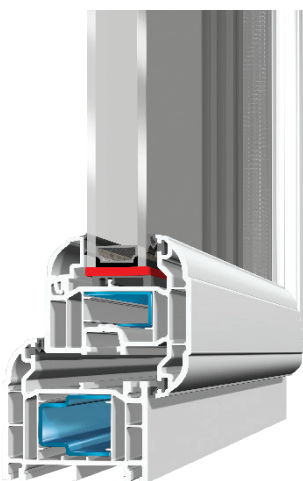
All of Flairs professionally manufactured windows and doors comply with building regulation requirements for new build, replacement and refurbishments.



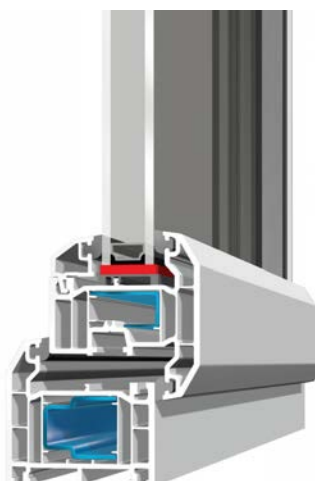


FRAME STYLING

We have two classic profile styles for you to choose from, Chamfered and Sculptured profiles. Both offer superb security features, high energy efficiency and an attractive hand crafted finish. Available in a range of colour and woodgrain finishes, with a selection of handles, letterplates, numerals, knockers and spyholes - you can tailor your frames to match your home perfectly.



Ovolo O70 System

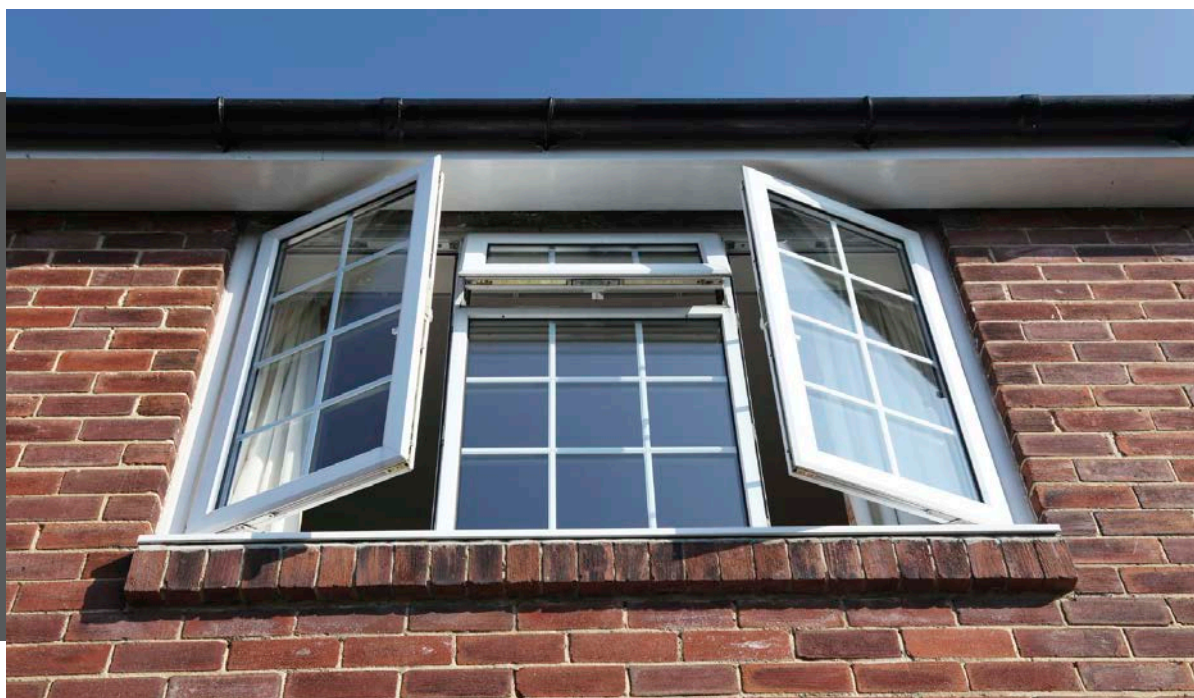


Chamfered C70 System

Astragal Bars

Astragal Bars can be fitted to any product enhancing the look of windows, doors & conservatories by giving them the traditional Georgian appearance of individual panes. They are available in white or woodgrain foils.

The Astragal Bars are securely fitted by the use of 'clips' wrapped around the sealed units and centre clips with adhesive pads specially developed to adhere to glass in all weathers. When 'grids' are specified, they will be factory fitted to save time 'on site'.



COLOURS

Our range of windows & doors are available in a wide selection of foiled woodgrain colours* which can be seen below. These colours can be applied to either 1 side or both sides of the frame**.

*Some products may come in a different colour ranges. Colours for these products will be shown on the relevant page for the product.

**Some colours can only be applied to one side of the frame.



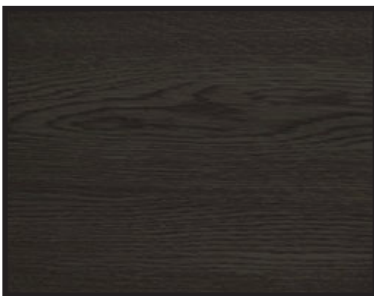
WHITE



ROSEWOOD



ANTHRACITE GREY



SCHWARZBRAUN



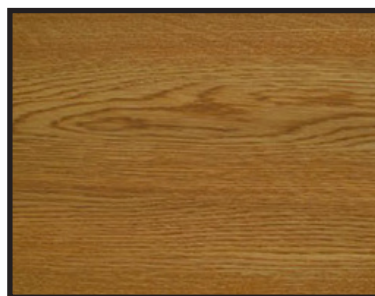
CREAM



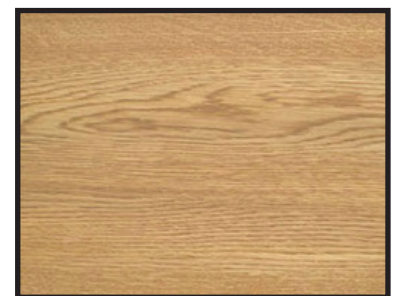
CHARTWELL GREEN



SLATE GREY



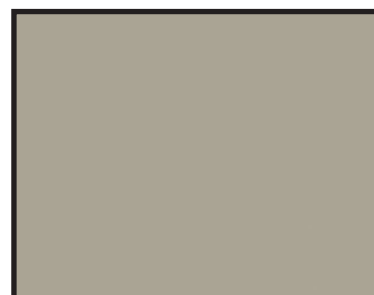
GOLDEN OAK



IRISH OAK



WHITE WOODGRAIN



**AGATE GREY
(PAINSWICK)**





WINDOW RANGE



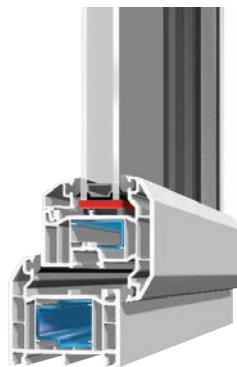
CASEMENT WINDOWS

Our windows are made using the energy efficient Kommerling O70 & C70 5 chamber Gold Systems.

Both profiles offer a 70mm frame depth, extruded using a colour-fast lead-free UPVC Greenline compound. The ovolo design of the O70 has a curved frame and opening sashes create a 'softer' appearance adding a little design flair to any installation. The C70 gives a modern look with its clean chamfered design.

Both profiles are combined with high security multi-point locking and internal beading for enhanced security.

- 70mm frame depth.
- Low Maintenance UPVC Frames
- Wide Range of Foil Finishes Available
- Double or Triple Glazing Available
- Five chambered energy efficient design.
- Steel reinforcement for additional structural strength.
- Single leg highly secure internal glazing beading.



C70 Profile



O70 Profile

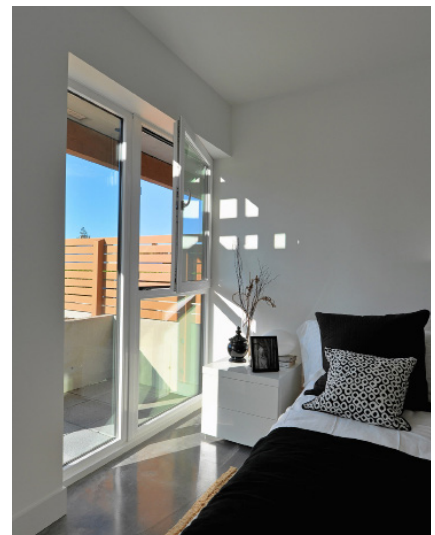


TILT & TURN WINDOWS

Imagine your home with windows that are as long-lasting as they are beautiful - and as elegant as they are energy efficient. By replacing your existing windows with our U-PVC windows, you'll make your favourite place quieter, safer and more secure.

Our Tilt & Turn windows offer two functions for the price of one! You can open your windows in the conventional way or you can tilt the windows to allow air into the room. The ideal solution where there is restricted space outside making outward opening a hazard and providing an effective fire escape.

Tilt & Turn U-PVC windows offer a simple, contemporary and stylish solution to suit modern properties, together with the benefits of noise reduction, low maintenance, safety, security and energy efficiency.





FLUSH SASH WINDOWS

Our flush sash window inside and out is packed with heritage features offering consumers the benefit of high performance PVCu window design with the detailing of yesteryear. Traditional butt joints and a wide range of period inspired finishes help transform the overall appeal with the added benefit of tear drop or monkey tail handles in a number of finishes.

Flush Sash Windows can be equally adept for more contemporary design appeal by the use of modern window hardware, finish and overall window design.

COLOURS AVAILABLE

WHITE	ROSEWOOD	GOLDEN OAK	IRISH OAK	ANTHRACITE GREY
SCHWARZBRAUN	CREAM	WHITE ASH *	CHARTWELL GREEN **	SLATE GREY **
AGATE GREY **				

* Only Available In Full Colour
 ** Only Available In Colour On White





ALUMINIUM WINDOWS

From a traditional country cottage to a contemporary town house, the Flair Aluminium Range of windows offers style and elegance to suit all tastes.

Our ultra-slim frames allow for more natural light to enter your home whilst giving the best views to the outdoors.

Flair Aluminium Windows are bespoke to your home ensuring they fit perfectly. Each window is manufactured using the latest technologies and processes allowing us to create the finest finish.

Slimmer Frames

These slimmer and stronger aluminium frames allow more natural light into your home as they increase the ratio of glass to frame. The clean joints and subtle lines offer an exceptional aesthetic finish.

When compared to the typical PVCu windows, the Flair Aluminium window frames are up to 50% slimmer. This allows for the maximum amount of natural light to enter your home whilst giving an ultra slim appearance.



Exterior Design



Interior Design



DOOR

RANGE





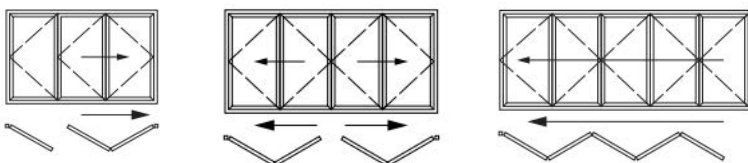
ALUMINIUM BI-FOLDING DOORS

Flair Aluminium Bi-folding doors give exceptional panoramic views all your round from the comfort of your home. The Flair aluminium Bi-folding doors allow quick and easy access to your garden by neatly folding and sliding. The large panes of glass allow maximum light into your home and give unspoilt views of the outside.

Choose from panes up-to 1200mm wide and 2580mm high. These can be designed to fit any opening size. Your Flair retailer will give you advice on the most suitable option for your requirements.

Bi-fold doors offer a choice of opening configurations to suit your needs

- Fold the doors in or out
- Slide all doors to one side to create a large open space
- Create a single entrance for easy access and have the remaining doors slide the opposite way
- Part the doors centrally to create a double door





ALUMINIUM PATIO DOORS

This adaptable system is suitable for use as either sliding commercial entrances where large opening apertures are required, or as dynamic residential sliding doors that maximise light and give stunning unimpeded views.

Visoglide Plus profiles have been designed to improve both strength and weather resistance. All main sections feature an extended polyamide thermal break that allows Visoglide Plus to achieve a U Value of 1.6 W/m²K when installed with a suitable sealed unit.





PATIO DOORS

Patio doors open up any room allowing natural light to flood in. They take up very little floor area, and don't intrude into your room or garden. The opening doors slide behind the fixed glass panels, which allows more flexibility for furniture and creates more space than other styles of door

Our PremiLine patio doors are made using Europe's number one profile Kommerling. They have a chamfered design and smooth quiet running and an aluminium reinforced centre section. This provides a high degree of stability, security and tightness. It also means the possibility for larger window areas and sliding elements than ever before.

The PremiLine sliding patio door is packed with technical features and is extruded using our Greenline lead-free U-PVC compound. It's also the perfect match to our C70 and O70 systems and given the innovative design of the outer frame which is 70mm deep tapering out to 80mm to accommodate the sash.



Upgrade to PRO

PremiLine PRO is the result of considerable expertise in door systems and is the patented, high security version of the PremiLine door system. An intuitive and clever locking system is hidden at the interlock and only requires the turn of a door knob to fully engage the enhanced security locking mechanism.

Intuitive and clever locking system (PRO)



FRENCH DOORS

You'll find our U-PVC French doors help bring added flavour to your home. French doors feature two leaves hinged on either side that typically open outwards to leave a clear opening. You can make access even easier by adding one of our low threshold options.

Dine with added elegance, host great summer parties with easy access to the garden and get more natural light in your home. Your new French doors can give you all this and more.

While you get on with living your life, your French doors will keep you safe and secure, with their high quality key-operated locking mechanisms. These high security doors are virtually maintenance free as they are made using colour-fast U-PVC. Available in a range of colours and styles and a choice of handle colour these high performance doors combine looks with security and longevity



- Steel reinforced welded profiles.
- Multi-point locking & shoot bolts.
- Low line gaskets.
- Double or Triple Glazing Available
- High impact profiles.
- Design your own using panel & glass options
- Available In A Range Of Colours



STABLE DOORS

Stable doors can be used in two ways, like a standard door, or you can detach the top of the door from the bottom, allowing the bottom of the door to stay closed whilst the top of the door is free to be opened. It is a door that gives you the best of both worlds, a door that can let fresh air into your home, whilst keeping small children and pets indoors.

The upper leaf has a lever/lever handle operating the top part of the door independently. The lower leaf has a concealed lever, operating a lock which will allow the bottom part of the door to open also.

Stable doors can be made to open inwards or outwards depending on your requirements and can be fitted with a range of door furniture to suit your tastes. Our stable doors are also available in a wide range of colours.



Why Choose A Stable Door?

The simple design of a stable door means it will look at home in any type of property. From the latest modern new builds to the most traditional cottages and everywhere in-between. The choices of glazing patterns and options on the top half of the door can also be chosen to reflect your own personal style and make your door completely bespoke.



UPVC PANEL DOORS

These high security doors are virtually maintenance free as they are made using colour-fast UPVC. Available in a range of colours and styles and a choice of handle colour these high performance doors combine looks with security and longevity.



SECURITY

Our single and double doors feature Yale Mantis 3 multi-point door locks. Yale Mantis 3 locks have been tested to the PAS24 security standard and are approved by Secured By Design (SBD). SBD is the official UK Police flagship initiative combining the principles of 'designing out crime' with physical security.





COMPOSITE DOORS

Our Solidor range is an outstanding collection of unique solid laminate 48mm timber core composite doors that combine classical or modern styling with high security locking which provides a stunning, high quality and secure entrance to any home.

With a thickness of 48mm, a Solidor door is nearly 10% thicker than most alternatives. Each solid timber core is completely encapsulated within a highly durable plastic edge banding and two thermo plastic door skins, so you will never have to worry about painting or varnishing your Solidor.

Our Solidor doors are available in multiple styles, colours and glass options with a choice of door furniture for each. The style combinations are virtually unlimited!

**‘With Solidor the combinations
are infinite, the possibilities
are endless!’**



COLOURS AVAILABLE

WHITE	GREEN	BLUE	BLACK	RED	
* ROSEWOOD	* LIGHT OAK	* SCHWARZBRAUN	* FOILED WHITE	* ANTHRACITE GREY	* CREAM
** CHARTWELL GREEN	** PEACOCK BLUE	** WALNUT	** DUCK EGG BLUE	** IRISH OAK	** GOLDEN SAND
** RICH AUBERGINE	** PAINSWICK	** FRENCH GREY	** MIDNIGHT GREY	** TANGERINE	** COBALT BLUE
** TWILIGHT GREY	** LAVENDER	** MOCHA			

* Premium Colour ** Luxury Colour





GUARDIAN ROOF RANGE

Guardian Warm Roof

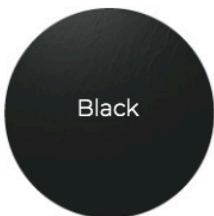
IS YOUR CONSERVATORY:

- Too hot in summer?
- Too cold in winter?
- Too noisy in rainy weather?
- Too bright?
- Difficult to clean?
- Looking outdated?

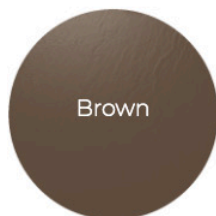
The market-leading Guardian Warm Roof is a revolutionary step forward in home improvement – a high performance, lightweight roof replacement system that dramatically transforms your conservatory into an ambient, much needed space that can be used daily, all year round.

Designed to replace your existing conservatory's glass or polycarbonate roof, the Guardian Warm Roof System retains your original windows, doors frames, walls, and is fully tested and approved to all thermal and structural standards.

COLOURS AVAILABLE



Black



Brown



Grey



Mulberry



Terracotta



“ We couldn't really afford an extension but we wanted a conservatory that we could enjoy all year round, so when we heard about the Guardian Conservatory - it was an easy decision. One month later, I can only say that it's given us the perfect room. Light, airy, quiet and comfortable ”



WHY CHOOSE A GUARDIAN ROOF?

ENERGY EFFICIENT

High performance insulation achieves a superior U-value of only 0.18 W/m.K (England & Wales). Saving you money on heating bills.

TEMPERATURE

A Guardian roof regulates the temperature of your conservatory to ensure that it is comfortable all year round.

REDUCED NOISE

Your new room will remain quiet and relaxing whatever the weather conditions. Even heavy rain noise is eliminated.



LANTERN ROOF RANGE





The purpose designed Stratus aluminium skylight is discreet yet stylish. Stratus allows light to flood into your home's interior, the ideal modern lantern solution, and coupling contemporary looks with truly outstanding performance.

Bespoke designed from the ground up around an innovative thermally broken system, it provides excellent thermal performance - keeping cool in the summer and warm in the winter - while delivering the architectural refinement you'd expect of a high end aluminium roof lantern system.

Whether you are building a new kitchen-diner extension or replacing an existing lantern roof, Stratus will help redefine your home, creating light and airy spaces for you to enjoy.



3 WAY DESIGN

Max 3000mm x 6000mm



2 WAY DESIGN

Max 1500mm x 6000mm



CONTEMPORARY DESIGN

Max 1500mm x 3000mm



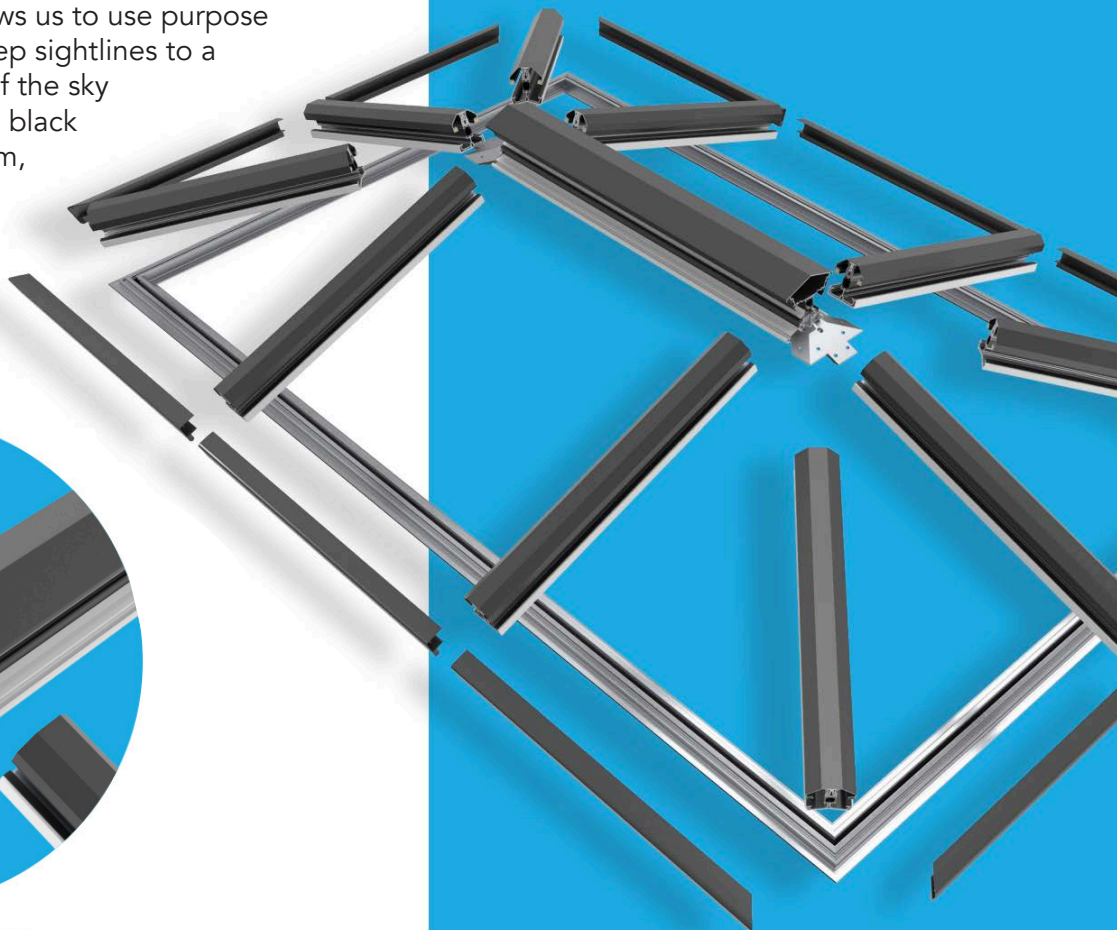
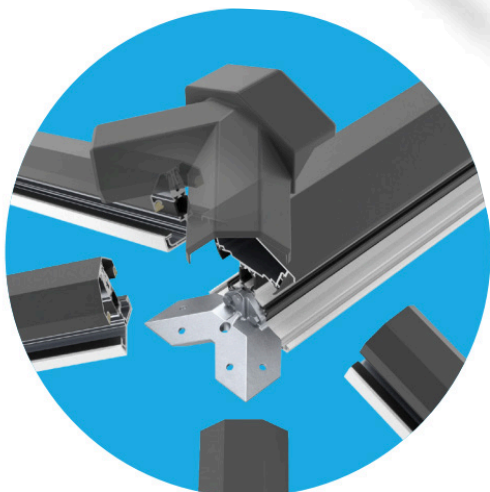
Available in 2-way, 3-way or contemporary designs, with sizes up to 3m x 6m, this high end, high performance lantern roof is ideal for modern living. Stratus is ideal for fresh, bright interiors that want to be opened up and bathed in light.

Stratus comes in a choice of two hard-wearing exterior powder coated finishes, with the option of a white or grey interior finish.

For the ultimate in minimalism, the innovative contemporary style supports the ridge solely by the hip rafters, for an ultra slim, clean and modern look.



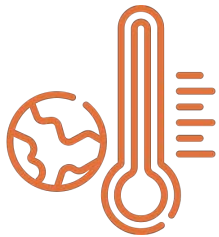
Every element of the Stratus Thermal Lantern Roof has been designed to be exceptional. From the w profile 20° pitch that allows us to use purpose designed cappings that keep sightlines to a minimum - and your view of the sky maximised - to the discreet black finish of our perimeter beam, that ensures if you view the lantern from above all you'll see is glass and a discreet shadow line.







ICOTHERM ROOF RANGE



THERMALLY EFFICIENT

The Icotherm roof helps maintain optimum temperature in the room, protecting from the summer heat and retaining warmth in winter.



BUILDING CONTROL COMPLIANT

The Icotherm Roof system is fully compliant with all relevant building regulations.



ECO FRIENDLY TIMBER

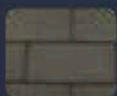
Sustainably sourced timber, making for the ultimate green building solution.



icoslate (slate effect)



Amethyst



Ash



Oak



Slate

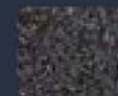


Sunset

icotile (shingle)



Black



Dark grey



Brindle red



Brindle brown



Red

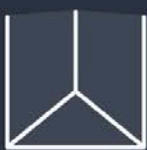


Brown

We offer a range of lightweight tiles that beautifully replicate traditional stone, terracotta and slate. With a wide range of colours, your chosen tiles will match and compliment your home. In addition, your choice of fascia and guttering will provide the finishing touches. Icotherm's tile options are UV protected as standard and have the additional benefit of being fire-rated for your peace of mind.

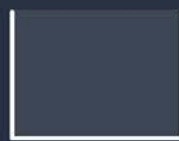


ROOF STYLES



Edwardian

Also known as Georgian.
A simple shape with a square or rectangular footprint.



Lean-to

Single pent roof, can be referred to as a sunroom.
Offers clean lines.



Gable

Modern look with a high (gable) frontage, double pitch, often aligned with the house.



Hipped lean-to

As per the lean-to, with additional side slopes to the side.



Victorian

Multi-faceted, with 3 or 5 sides.
One of the most popular styles.



Combination

A bespoke shape unique to you, combining any of the above.





CONSERVATORY R A N G E

Ultraframe

Transforming light and space

With a vast number of options to choose from, Ultraframe conservatories from Flair give you the extra space you've always dreamed of, no matter what your conservatory design or style requirements might be.

Our conservatories are the perfect way to bring the outdoors indoors, providing an elegant focal point for get-togethers or a warm and welcoming place in which to relax and unwind.

For a cost effective bespoke modern conservatory design, look no further than Ultraframe from Flair. With an extensive collection of conservatories to choose from, you can be sure to find the right style to suit your home.



Enjoy access to a stunning range of enhancements and enjoy many cost-saving and value-adding rewards:

- Traditional or contemporary styling with a wide range of custom designs to suit your property
- Structurally designed to your exact postcode for peace of mind
- A made to measure state of the art conservatory
- Choice of uPVC or aluminium Glass Roof
- Thermally and structurally proven
- Made in Britain





BUILDING STYLES

Our roof systems can cope with a range of shapes and building styles, so you won't have to compromise when designing your new room.

Compatible with the following conservatory styles:

- Gable
- Georgian
- Lean-to
- Victorian
- T-Shape
- P-Shape



THERMAL PERFORMANCE

Your newly installed conservatory will retain heat and reward you with lower running costs and a reduced carbon footprint.

Depending on your design choices, you could enjoy an energy rating of C.



WARRANTY

Enjoy a 10-year manufacturers guarantee that you can refer to in the unlikely event of an issue.







0121 624 5001
www.flairwindows.com

Unit 36, Minworth Industrial Park, Forge Lane, Minworth,
Birmingham, B76 1AH