

Glassroof

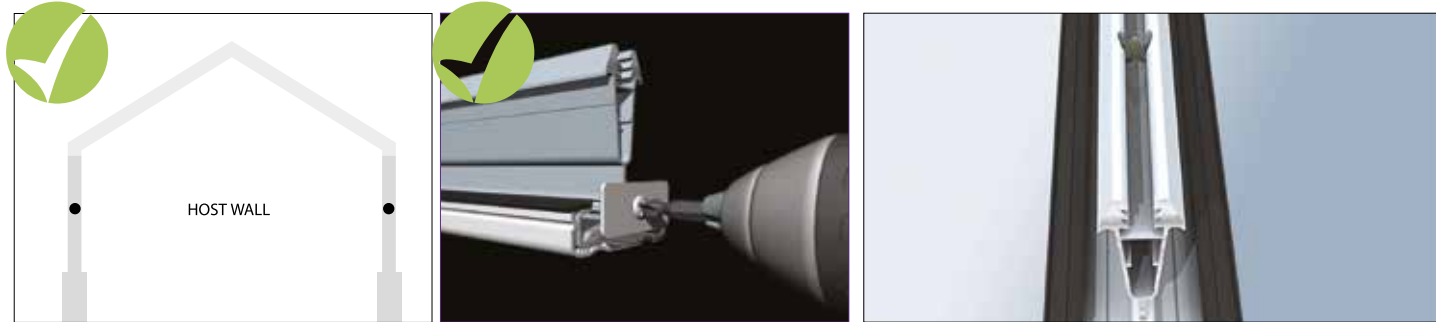
By Ultraframe



V4 | May 2018

LOW PITCH LEAN-TO INSTALLATION GUIDE

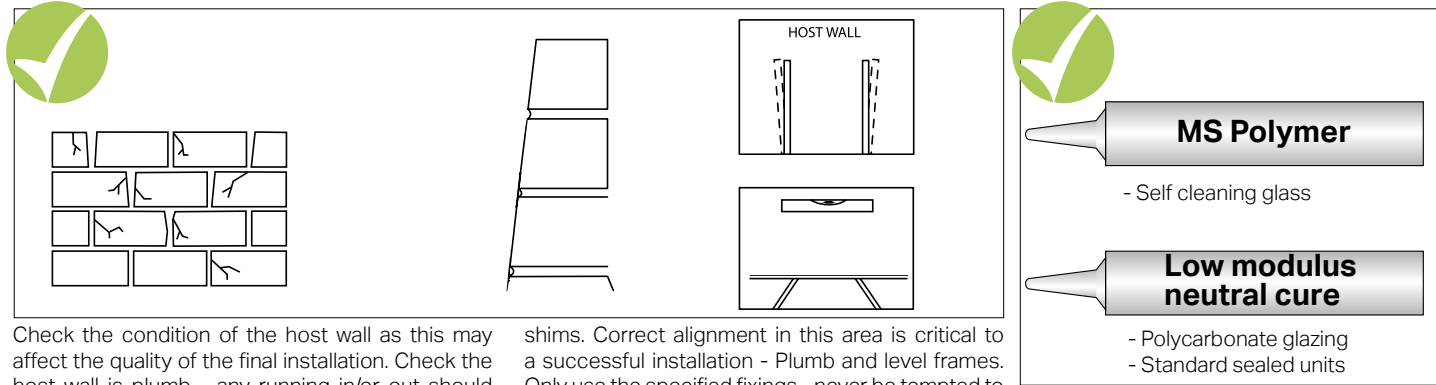
PRE-INSTALLATION CHECKS



At this stage do not fix the frames down - pin only to the house wall (one fix per side) to allow the conservatory to 'float'.

Attach the glazing bar end cap fixing blocks - as access restrictions may prevent easy attachment later. **NOTE: These are attached to the end caps when despatched from the factory.**

Take the glazing bars from the roof pack and check the anchor clips are fitted (the clips are always at the top of the slope). On the eaves beam check that there are the correct amount of twin and single bolts and that the glazing support trim is fitted.



Check the condition of the host wall as this may affect the quality of the final installation. Check the host wall is plumb - any running in/or out should have been accounted for by the surveyor. If not, the wallplate may require packing out with aluminium

shims. Correct alignment in this area is critical to a successful installation - Plumb and level frames. Only use the specified fixings - never be tempted to substitute alternative sizes/gauges.

Use the correct sealant

General points

Care should be taken when handling components that are seen by the homeowner, as surfaces may be scratched if not handled with care. Choose a suitable area for unpacking the components and always check them before fitting. Any claims for missing or damaged parts are only accepted in line with our standard terms and conditions of sale.

Health & safety

Site safety is paramount. The Construction (Design & Management) Regulations 2015 apply to the whole construction process, on all construction projects from concept through to completion. Compliance is required to ensure construction projects are carried out in a way that secures health and safety. The installation company shall be responsible for the safety of all of the fitting team, the customer and members of the public.

The Surveyor should have carried out a risk assessment to reduce risk on site and this should have been discussed with you prior to starting.

Please use safe working platforms and ladders that comply with BS EN 131. Always use equipment in line with manufacturers recommendations. Personal Protective Equipment - such as goggles, mask and ear defenders - should be used when, for example, grinding out for the flashing.

Careful consideration should be given to the safe disposal of all packaging - Ultraframe packaging is predominantly made from recycled materials and can be readily recycled.

Product

The roof kit is supplied with a location plan, a quality control check list for the box in which this guide arrives and, of course, this installation guide. The location plan is used to match individual components to their respective position on the roof. Our

numbering convention always starts at the top left, against the house wall as you look from outside the conservatory back at the host wall.

The majority of aluminium and PVCu components contain identification codes, usually by inkjetting or labelling - should you need to re-order a part this should help. Please ask for a copy of our Classic product guide to keep in the van, which will give you further assistance with future identification - please call 01200 452367 to request a copy.

Sealing

It is important to use the correct sealant when sealing the roof.
1. For roofs glazed with Polycarbonate (or standard sealed units) a low modulus neutral cure brand of silicone must be used
2. For roofs glazed with Conservaglass or other true 'self cleaning' glass, then MS Polymer sealant such as Rotabond 2000 must be used.

Sealed Units

All protective handling tape must be removed prior to installation. For the correct selection of sealant please see above

The Superstructure

Check the Dwarf wall or Plinth for being level all round. Ensure that all frames which abut the host wall are vertically plumb, which will then allow perfect alignment with our Classic eavesbeam. Before starting to install the roof, please check the condition of the host wall and whether it's plumb - depending upon what you find, these conditions can seriously affect the final integrity of the roof, particularly when a Tie Bar Replacement Kit (TBRK) is fitted.

Please contact the Tech Support Team on 01200 452918 or email techsupport@ultraframe.co.uk

TOOLS REQUIRED Eaves to frame fixings and host wall fixings not supplied.



PRODUCT IDENTIFICATION

Eaves assembly

- End cap
- Sealed Unit
- Glazing bar
- Gutter bracket
- Flowline gutter
- Low pitch eaves beam
- Internal fascia
- Internal fascia trim

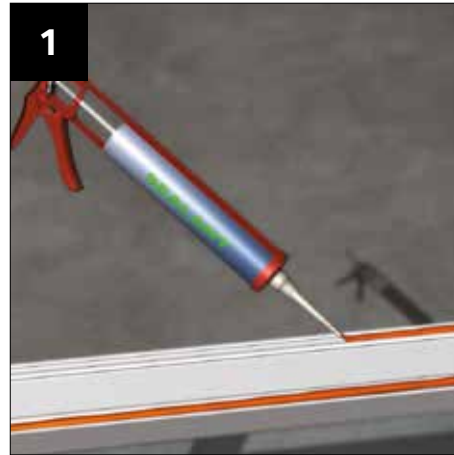


Wall plate assembly

- Wall plate top cap
- Rain baffle
- Aluminium wall plate
- Glazing bar
- Wall plate undercladding



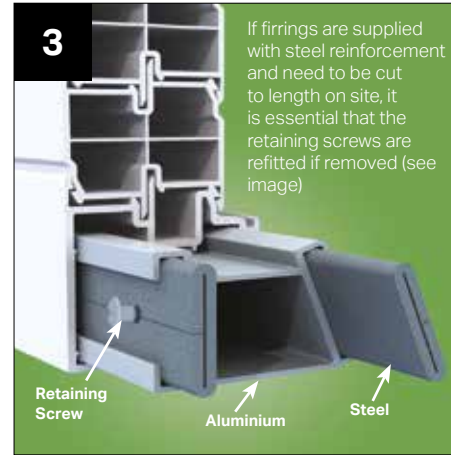
INSTALLATION (with firrings)



Silicone seal the head of the side frames.



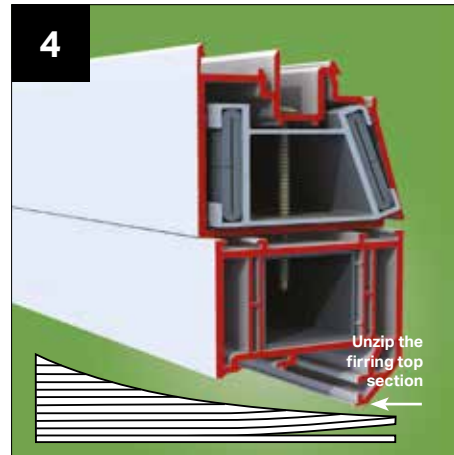
Firrings are supplied in one of 2 standard lengths. When cutting the firring, always do this at the back (rear) and ensure that all elements are aligned.



If firrings are supplied with steel reinforcement and need to be cut to length on site, it is essential that the retaining screws are refitted if removed (see image)

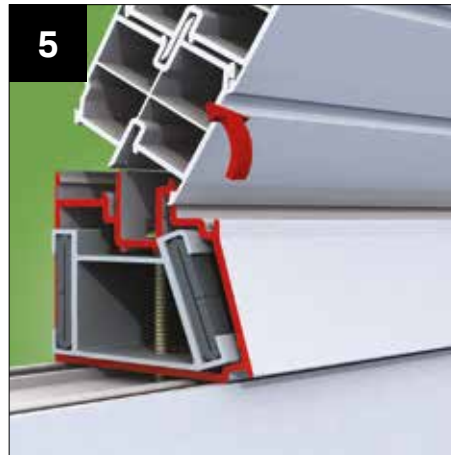
Retaining Screw Aluminium Steel

Unpack and slide in the aluminium box section (if ordered) and, the two pieces of steel re-inforcing (if ordered). If only one section of stage 1 re-inforcing is supplied it usually signifies that this should be used above doors in the side elevation.

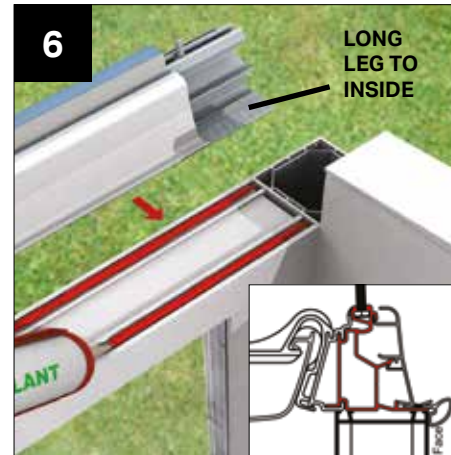


Unzip the firring top section

Ensure the inside face of the firring lines up flush with the internal face of the frame. Drill a 5mm hole through the PVC firring bottom section and re-inforcement (if ordered) and secure with screws supplied.



Fasten from above using the 4.8 diameter x 70mm fixing supplied at 450mm centres and within 200mm of the corners. Now, reassemble the firring by clipping in the bottom edge of the firring top section and roll into place.



LONG LEG TO INSIDE

Take the eaves beam and make sure the head of the front frame is siliconed.

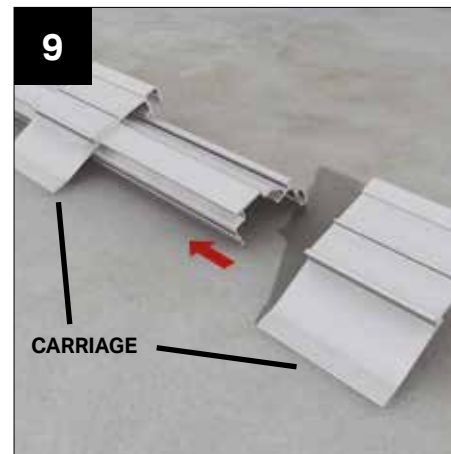
LONG LEG OF ALUMINIUM EAVES BEAM TO INTERNAL FACE.



'Butter' with silicone then slide the eaves beam end cap block into place. It will be necessary to silicone seal the area highlighted in the inset image.



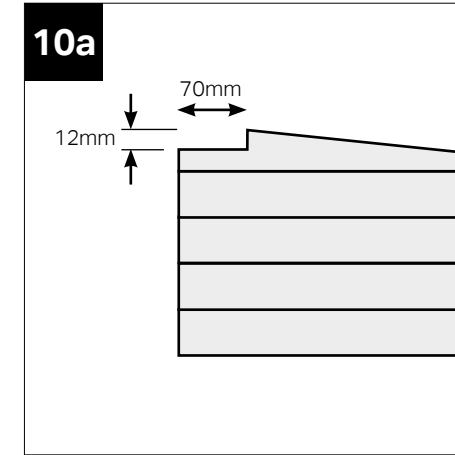
Drill a 5mm pilot hole in the head of the frame, fasten down using 4.8 x 32mm screws (not supplied) at 450mm centres. Refit internal claddings. If fastening up through the frames into the eaves beam use 4.8 x 55mm screws.



CARRIAGE

The aluminium wallplate body has been cut to length and sits **on top of the firrings**. Slide the aluminium carriages supplied with the wallplate onto the main body and space out at approximately 500mm centres.

INSTALLATION (with firrings)



Notch out the top of the firring as shown to accommodate the wall plate.



Offer the wallplate up to the wall and position it so that the top surface of the bolt slot is level with the top of the firrings.



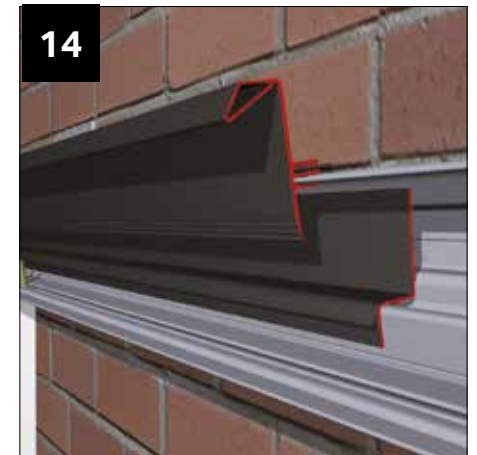
Drill through the wallplate main body and directly through each carriage to suit the masonry anchors being used (not supplied). Mark the position of each masonry anchor on the house wall and drill the house wall to suit.



Make sure the appropriate number of roofing bolts are located in the bolt slot of the wall plate before finally fixing the wall plate to the wall.



Systematically install the masonry anchors at 500mm centres.



Fit the back and main baffle. (It is pre-cut to the external frame dimension - DO NOT CUT). You may want to grind out and fit the flashing. When fitting a starter bar attach it at 500mm centres to firring.



Attach undercladding, having first sub assembled the ventilation button (separate installation leaflet provided in vent button kit).

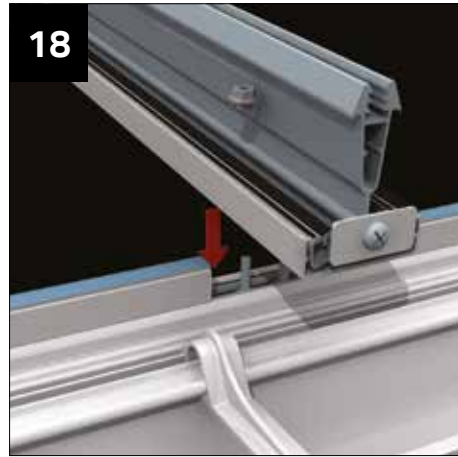


Ensure the rain baffle upper leg is lifted prior to placing the glazing bars that fit to the ridge body sides.

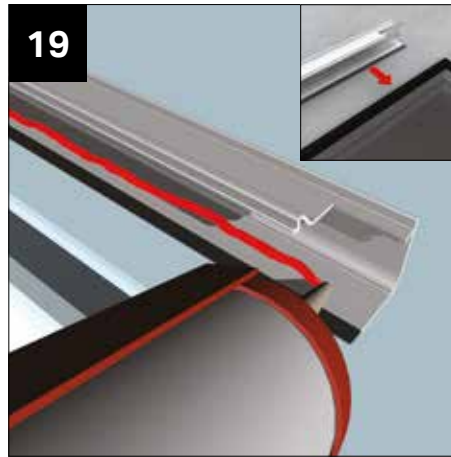


Locate the gutter brackets, stop end and stop end outlet and lift into position on the external fascia. Push down to locate the lower leg of the bracket. Assemble the rain water pipe, attach to the gutter and screw to the frame.

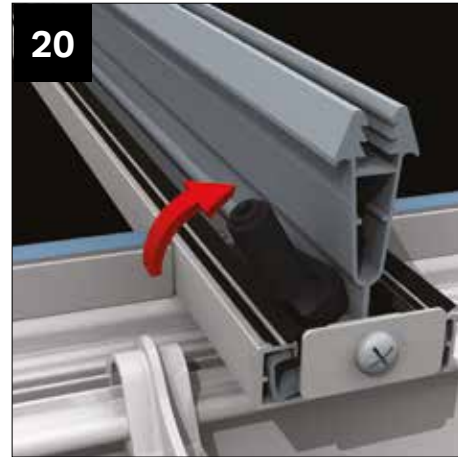
INSTALLATION (with firrings)



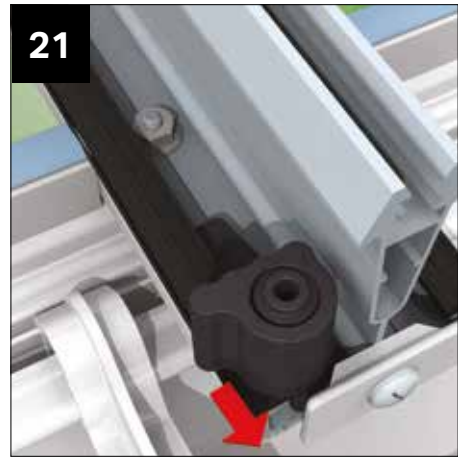
Attach all the glazing bars using the location plan provided to check each bars final position with its corresponding label.



Run continuous bead of sealant (appropriate for glazing) immediately behind the co-ex gasket and seal the space between the glazing end profile and the glazing at each end. The glazing end profile should be notched for use with glass.



Snap off appropriate handed clip. Handing marked on base of clip. Line up the rounded edge on base plate next to central web of glazing bar then tuck neatly under gasket side of bar. Rotate clip into position. Push the grommet over the post as shown.



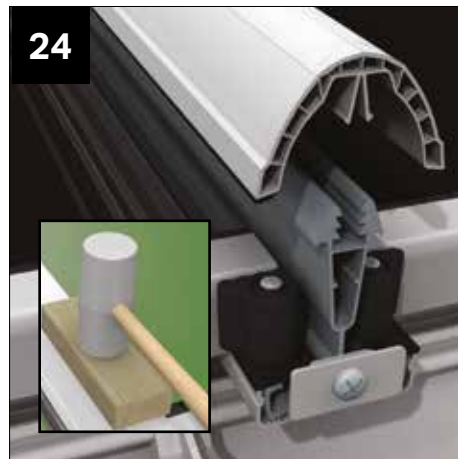
Slide the complete assembly down the glazing bar, using the endcap fixing block as the 'stop'.



Tease the 'tail' of the glazing support trim tape free (ready to be pulled away when the sealed unit is finally in position).



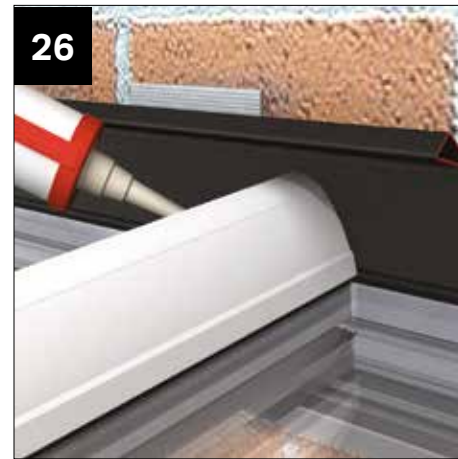
Centralise the glazing between the glazing bars. If necessary pack it out on each side - press it down onto the support trim. Using the fixings provided, screw down into the bar as shown.



Knock the glazing bar top cappings on with a Deadblow hammer. Work your way across the roof. Once again each capping is numbered according to its position in the roof.



Fit the glazing bar end caps by sliding onto the fixing blocks. Push fit the insert into the end cap.



Seal along the back edge of the glazing around the top capping where they meet the rain baffle.

INSTALLATION USING RAKED FRAMES



Cut the PVCu wall plate top capping to the overall width of the conservatory (externally) and notch over the top of the lean-to cloaking trim at each end. Push fit the wall plate top capping.



Fit the wall plate end caps using sealant.



Push fit the internal fascia trim into position.

INSTALLATION USING RAKED FRAMES

The wallplate is supplied over length and is designed to fits inside the sideframe. Therefore you can cut the wallplate to length or leave the wallplate at original length and (1) notch head of window frame or (2) notch bottom edge of aluminium wallplate to fit.



Offer the wallplate up to the wall and position it so that the top surface of the bolt slot is level with the top of the side frames.



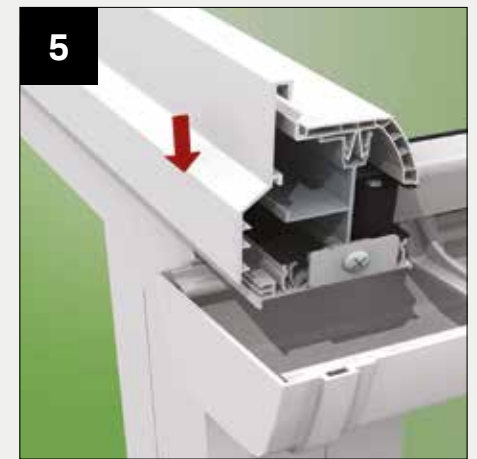
Run two beads of silicone along the head of the raked frame prior to fitting the top cap (supplied).



Screw fix the glazing bar down into the head of the raked frame at 500mm centres. Continue to fit the glazing as in steps 20-23 in main guide.



Knock the glazing bar top cappings on with a Deadblow hammer. Work your way across the roof. Once again each capping is numbered according to its position in the roof.



Hook the cloaking trim over the glazing bar top cap as shown above and clip fit the bottom edge into position.

BOX GUTTER

