

PremiLine PRO

The patented PremiLine PRO is one of the UK's first PAS 24 certified PVCu patio doors that doesn't require unsightly plunge bolts, carries Secured by Design and importantly meets the requirements for Lifetime Homes.

Secured by Design



Official Police Security Initiative



KÖMMERLING®

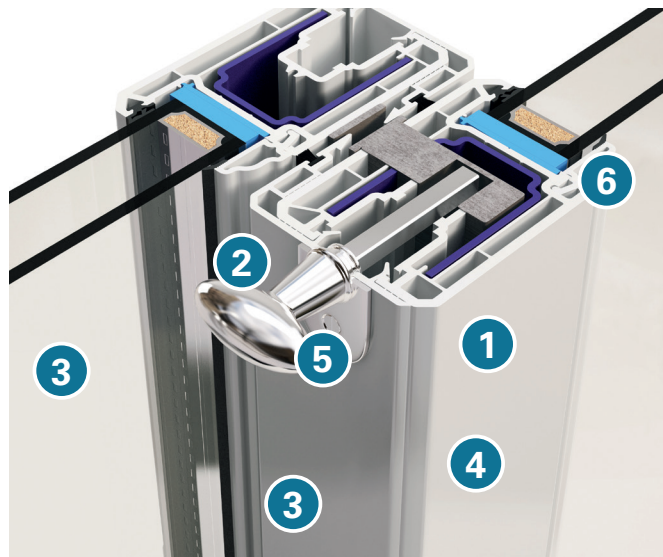
Proud sponsors of Mainz 05 Football Club

PremiLine PRO

Innovation and Energy Efficiency

PremiLine PRO is the result of our considerable expertise in door systems and is the high security version of our innovative patio door system. An intuitive and clever locking system is hidden at the interlock and only requires the turn of a door handle to fully engage the enhanced security locking mechanism. It's one of the first PVCu patio door systems to meet the Lifetime Homes standard and has been designed with new Document Q in mind.

Kömmerling and parent company, profine Group, also lead the way across Europe with their lead-free Greenline compound that was developed over 12 years ago. In the UK some Systems Companies still use lead as a stabiliser in their PVCu compound. At profine, we understand the importance of the environment in terms of harmful materials, recycling and energy efficiency.



- 1 The only PVCu patio door that carries Secured by Design without the use of unsightly plunge bolts and meets the Lifetime Homes standard.
- 2 Meets new Document Q of the Building Regulations.
- 3 Ingenious, patent protected design with hidden locking mechanism, which eliminates the need for unsightly plunge bolts.
- 4 Perfect for all market sectors where added security is crucial.
- 5 Option of three different handle finishes: chrome, white and black.
- 6 Striking design with a choice of low level gaskets in grey or black.
- 7 Outer frames can be welded or mechanically jointed (not shown).
- 8 Low threshold option also available (not shown).

An Extensive Range of Colour

With over 40 rich colours and realistic woodgrains, there are a huge number of finishes for the PremiLine patio door system, making it a feature on any conservatory, home extension or renovation project.



Kömmerling Window and Door Systems

- C70 Gold® window and door system
- O70 Gold® window and door system
- C70 & O70 Gold® AluStar window & door system
- PremiLine patio door
- PremiDoor 88 lift and slide door
- Bi-folding door system
- Kömmerling 76